

NW10 to NW40 DC fixed and drawout circuit breakers and switch-disconnectors

Device selection

A Masterpact DC circuit breaker is described by 2 catalogue numbers corresponding to:

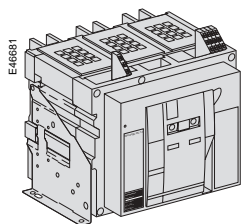
- the basic circuit breaker (fixed or drawout, with chassis)
- a control unit.

A Masterpact switch-disconnector is described by 1 catalogue number corresponding to:

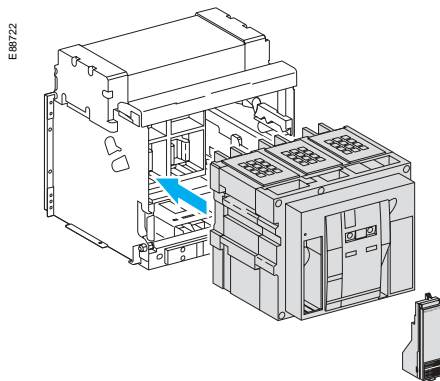
- the basic switch-disconnector (fixed or drawout, with chassis).

Vertical connection is standard however the connectors can be rotated for on-site conversion to horizontal connection (except on the NW40).

A communication option and various auxiliaries and accessories may also be added.



Basic switch-disconnector ≤ 4000 A.



Basic circuit breaker + chassis ≤ 4000 A.

Basic circuit breaker

Type N

	In (A at 40°C)	Icu (kA for U = 500 VDC)	Fixed	Drawout
NW10NDC-C	1000	35	48645	48660
NW20NDC-C	2000	35	48646	48661
NW40NDC-C	4000	35	48647	48662

Type H

	In (A at 40°C)	Icu (kA for U = 500 VDC)	Fixed	Drawout
NW10HDC-C	1000	85	48648	48663
NW10HDC-D	1000	85	48649	48664
NW10HDC-E	1000	85	48650	48665
NW20HDC-C	2000	85	48651	48666
NW20HDC-D	2000	85	48652	48667
NW20HDC-E	2000	85	48653	48668
NW40HDC-C	4000	85	48654	48669
NW40HDC-D	4000	85	48655	48670
NW40HDC-E	4000	85	48656	48671

DC 1.0 Micrologic control unit

Setting range

Minimum (A ± 8 %)	Maximum (E ± 10 %)	
1250	2500	48675
2500	5400	48676
5000	11000	48677

Basic switch-disconnector

Type HA

	In (A at 40°C)	Icm (kA for U = 500 VDC)	Fixed	Drawout
NW10HADC-C	1000	85	48684	48698
NW10HADC-D	1000	85	48685	48699
NW20HADC-C	2000	85	48687	48701
NW20HADC-D	2000	85	48688	48702
NW40HADC-C	4000	85	48690	48704
NW40HADC-D	4000	85	48691	48705

, Schneider Electric
, Schneider Electric

online

<http://www.shop.schneider-spb.ru>

, Schneider Electric